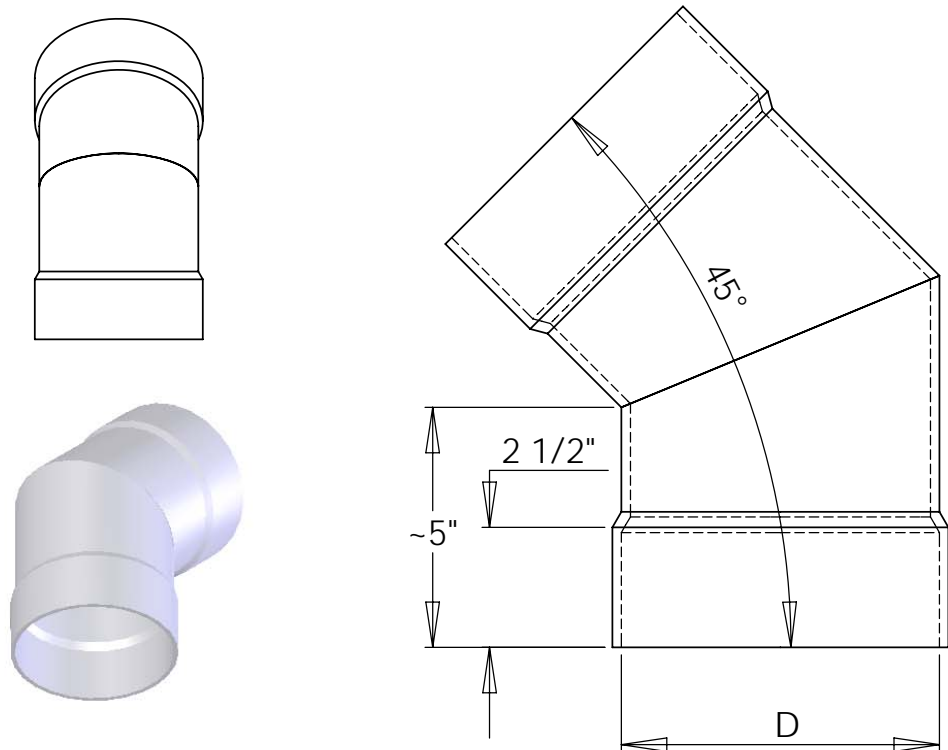


Chicago Plastic Systems 45 Degree 2 Gore Elbow

Elbows 6" through 24" are fabricated from extruded PVC duct pipe. The socket dimension is approximate.



Dimensions			
Duct Size	D (id)	R	Wall Thickness
6	6.625"	4.4"	0.1875"
7	7.375"	4.9"	0.1875"
8	8.625"	5.7"	0.1875"
9	9.375"	6.2"	0.1875"
10	10.75"	7.1"	0.1875"
11	11.375"	7.5"	0.1875"
12	12.75"	8.4"	0.1875"
14	14"	9.2"	0.1875"
16	16"	10.6"	0.1875"
18	18"	11.9"	0.1875"
20	20"	13.2"	0.220"
24	24"	15.8"	0.250"

PVC Classes 12454-B&C per ASTM D-1784-92
(Formerly known as Type I, Grades 1&2)