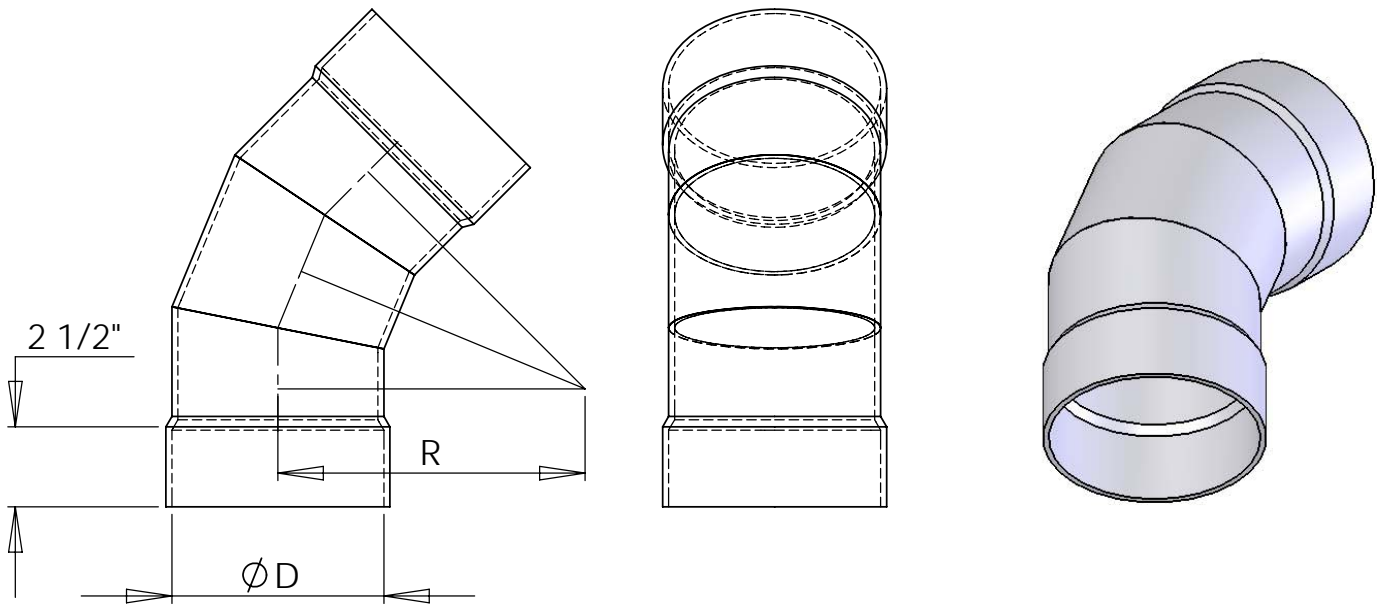


Chicago Plastic Systems 45 Degree 3 Gore Elbow

Elbows 6" through 24" are fabricated from extruded PVC duct pipe. Standard Radius is 1.5 the duct diameter to the center.
The radius and socket dimensions are approximate.



Dimensions			
Duct Size	D (id)	R	Wall Thickness
6	6.625"	10.5"	0.1875"
7	7.375"	11"	0.1875"
8	8.625"	13"	0.1875"
9	9.375"	14"	0.1875"
10	10.75"	16.5"	0.1875"
11	11.375"	17"	0.1875"
12	12.75"	19.5"	0.1875"
14	14"	21"	0.1875"
16	16"	24"	0.1875"
18	18"	27"	0.1875"
20	20"	30"	0.220"
24	24"	36"	0.250"

PVC Classes 12454-B&C per ASTM D-1784-92
(Formerly known as Type I, Grades 1&2)