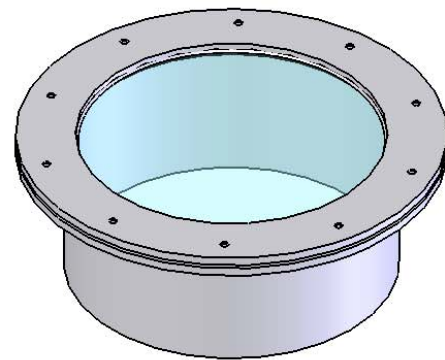
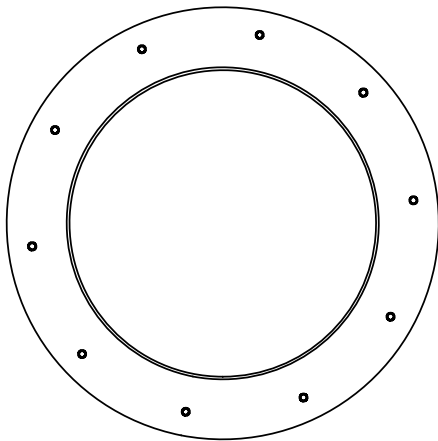
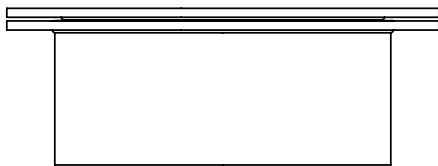
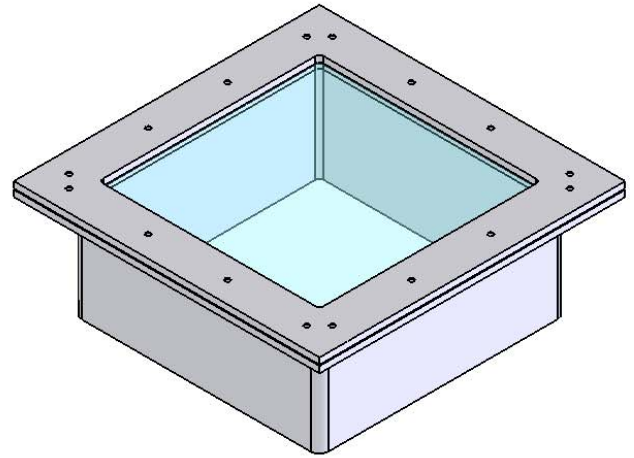
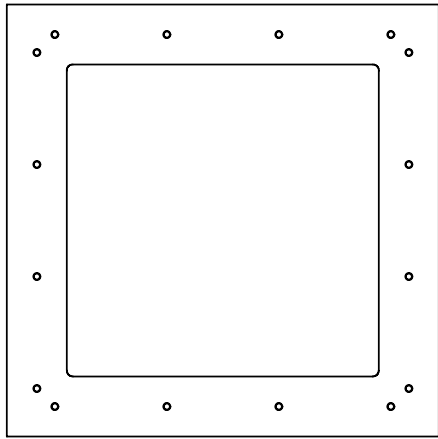
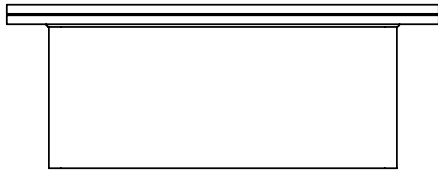


# Chicago Plastic Systems Boltable Access Door

Boltable door, clear cover allows inspection before removal.  
Round access doors are available in duct sizes 6-24"  
Rectangular access doors are sized as requested.  
May be mounted on round or flat surfaces for either style.  
Can be made with or without clear panels.



PVC Classes 12454-B&C per ASTM D-1784-92  
(Formerly known as Type I, Grades 1&2)