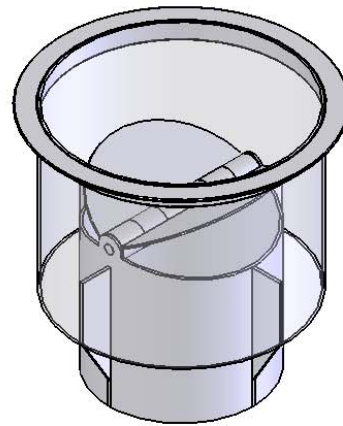
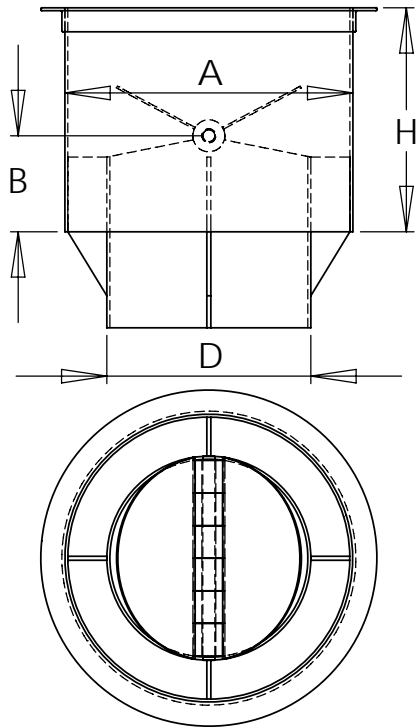


Chicago Plastic Systems Backdraft Stack

Backdraft stacks have doors that open by the force of the air when the fan is on; when the system is off, the doors are in the closed position reducing the amount of air that might fall back thru the system.



Dimensions						
Duct Size	D (id)	A	H	B	Blade Thickness	Qty. Gussets
12	12.75"	18"	14"	6"	0.125"	4
14	14"	20"	15"	6"	0.125"	4
16	16"	22"	16"	6"	0.125"	6
18	18"	24"	17"	6"	0.125"	6
20	20"	26"	18"	6"	0.125"	6
22	22"	28"	19"	6"	0.125"	8
24	24"	30"	20"	6"	0.125"	8
26	26"	32"	21"	6"	0.1875"	8
28	28"	34"	22"	6"	0.1875"	8
30	30"	36"	24"	7"	0.1875"	10
32	32"	38"	25"	7"	0.1875"	10
34	34"	40"	26"	7"	0.1875"	10
36	36"	42"	27"	7"	0.1875"	10
38	38"	44"	28"	7"	0.1875"	12
40	40"	46"	30"	8"	0.1875"	12
42	42"	48"	31"	8"	0.1875"	12
44	44"	50"	32"	8"	0.1875"	14
46	46"	52"	33"	8"	0.1875"	14
48	48"	54"	34"	8"	0.1875"	14