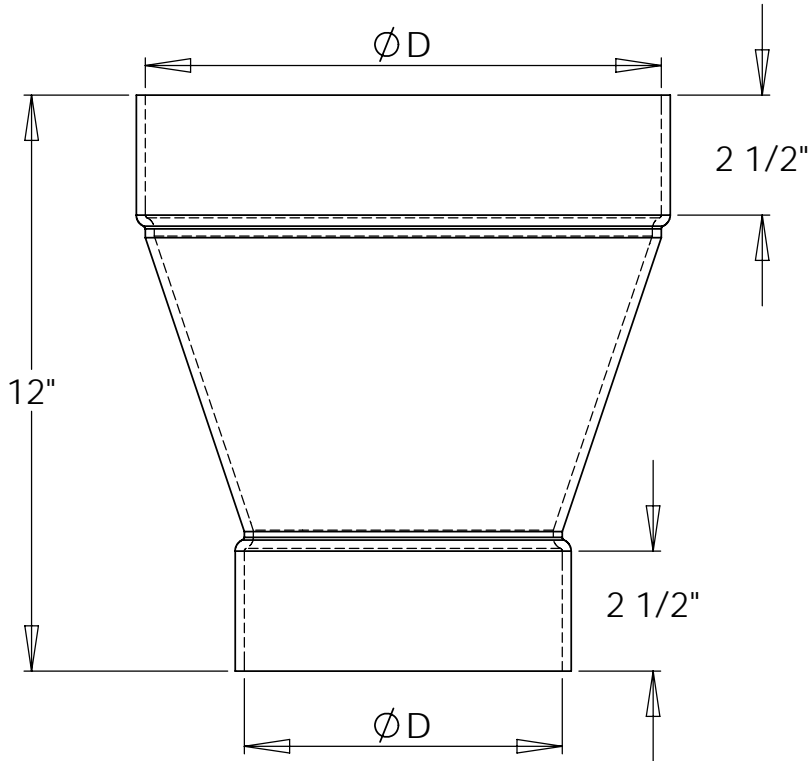


Chicago Plastic Systems Belled Reducer

The taper is constructed from rolled material.



Dimensions	
Duct Size	D
6	6.625"
7	7.375"
8	8.625"
9	9.375"
10	10.75"
11	11.375"
12	12.75"
14	14"
16	16"
18	18"
20	20"
24	24"

PVC Classes 12454-B&C per ASTM D-1784-92
(Formerly known as Type I, Grades 1&2)