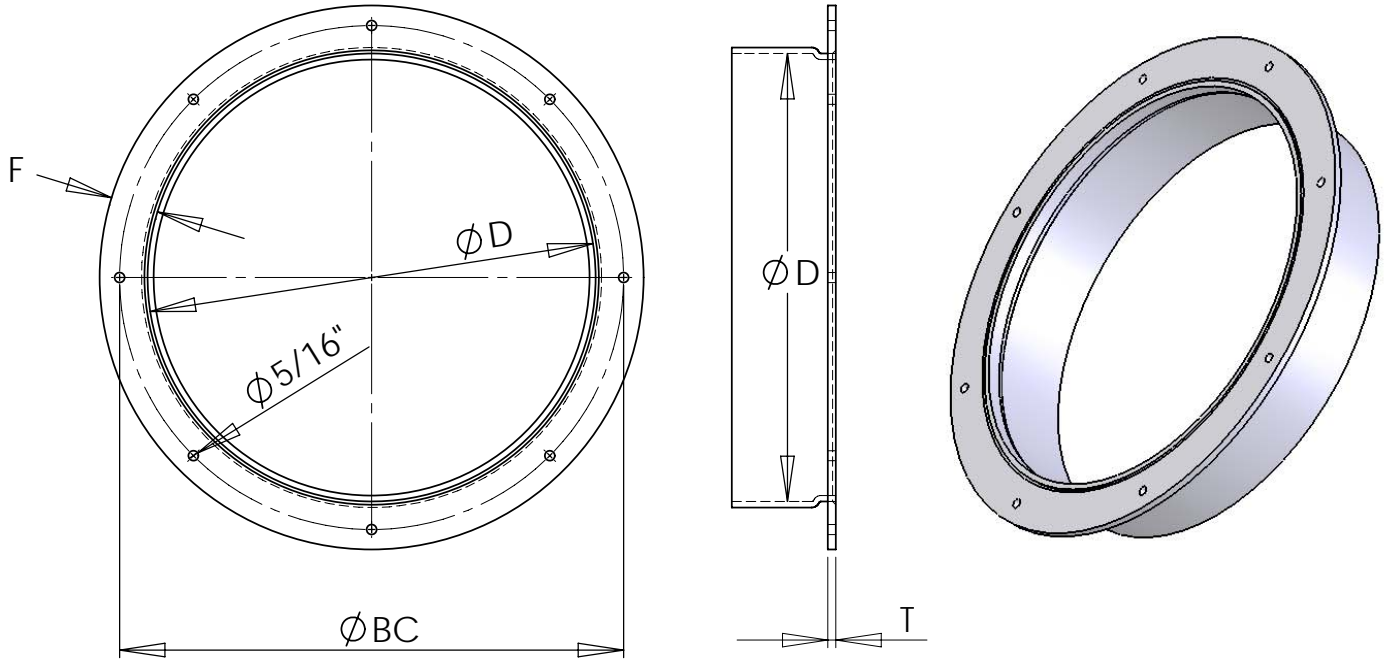


Chicago Plastic Systems Duct Flange

Odd sizes available upon request



Duct Size	D	F	Bolt Hole Qty	BC	T
6	6.625 in	1.5 in	6	8.375 in	0.250 in
8	8.625 in	1.5 in	8	10.375 in	0.250 in
10	10.75 in	1.5 in	8	12.500 in	0.250 in
12	12.75 in	1.5 in	12	14.500 in	0.250 in
14	14 in	1.5 in	12	15.750 in	0.250 in
16	16 in	1.5 in	16	17.750 in	0.250 in
18	18 in	2.0 in	16	20.250 in	0.375 in
20	20 in	2.0 in	16	22.250 in	0.375 in
22	22 in	2.0 in	20	24.250 in	0.375 in
24	24 in	2.0 in	20	26.250 in	0.375 in

Meets or exceeds SMACNA requirements

PVC Classes 12454-B&C per ASTM D-1784-92
(Formerly known as Type I, Grades 1&2)