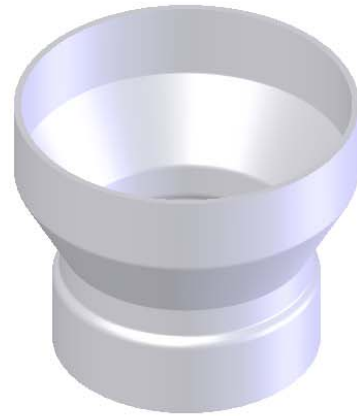
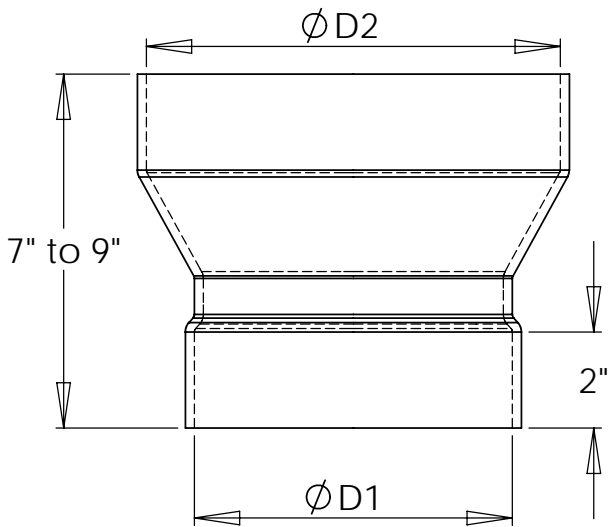


Chicago Plastic Systems Reducing Coupling

D2 can only be 2" greater, in pipe sizes, than D1 due to stress limitations of the plastic.
The larger diameter reducers are generally longer in length.



Dimensions		
Duct Size	D1 (id)	D2 (id)
7 to 6	6.625"	7.375"
8 to 6	6.625"	8.625"
8 to 7	7.375"	8.625"
9 to 7	7.375"	9.375"
9 to 8	8.625"	9.375"
10 to 8	8.625"	10.75"
10 to 9	9.375"	10.75"
11 to 9	9.375"	11.375"
11 to 10	10.75"	11.375"
12 to 10	10.75"	12.75"
12 to 11	11.375"	12.75"
14 to 12	12.75"	14"
16 to 14	14"	16"

PVC Classes 12454-B&C per ASTM D-1784-92
(Formerly known as Type I, Grades 1&2)