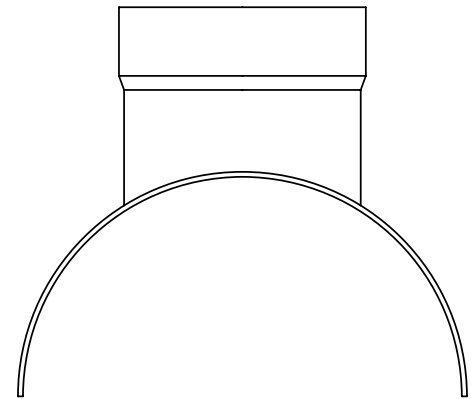
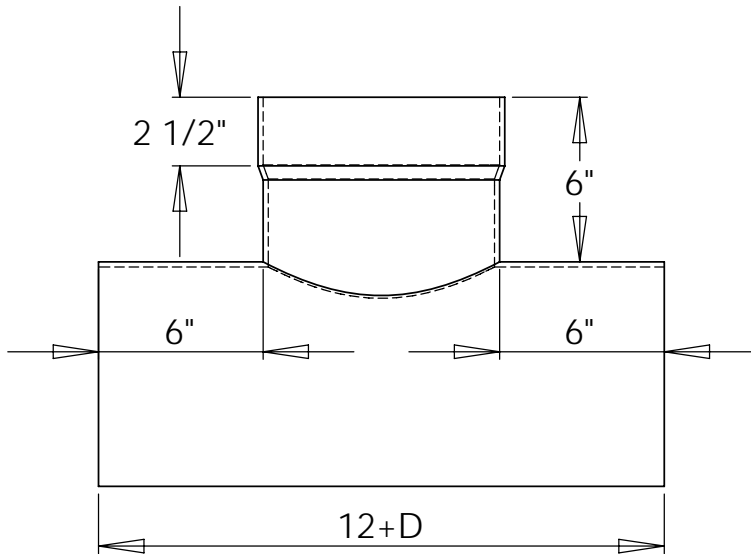
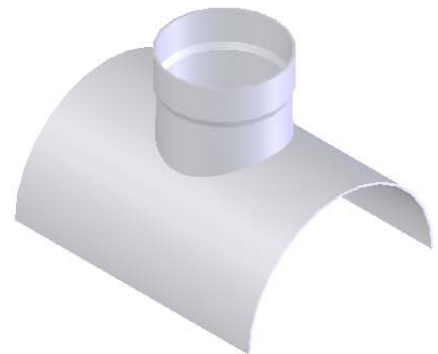


# Chicago Plastic Systems Saddle Tee

The internal diameter of the saddle is made to fit the OD of standard duct sizes.



Dimensions		
Duct Size	D (id)	12+D
6	6.625"	18 5/8"
7	7.375"	19 3/8"
8	8.625"	20 5/8"
9	9.375"	21 3/8"
10	10.75"	22 3/4"
11	11.375"	23 3/8"
12	12.75"	24 3/4"
14	14"	26"
16	16"	28"
18	18"	30"
20	20"	32"
24	24"	36"



PVC Classes 12454-B&C per ASTM D-1784-92  
(Formerly known as Type I, Grades 1&2)