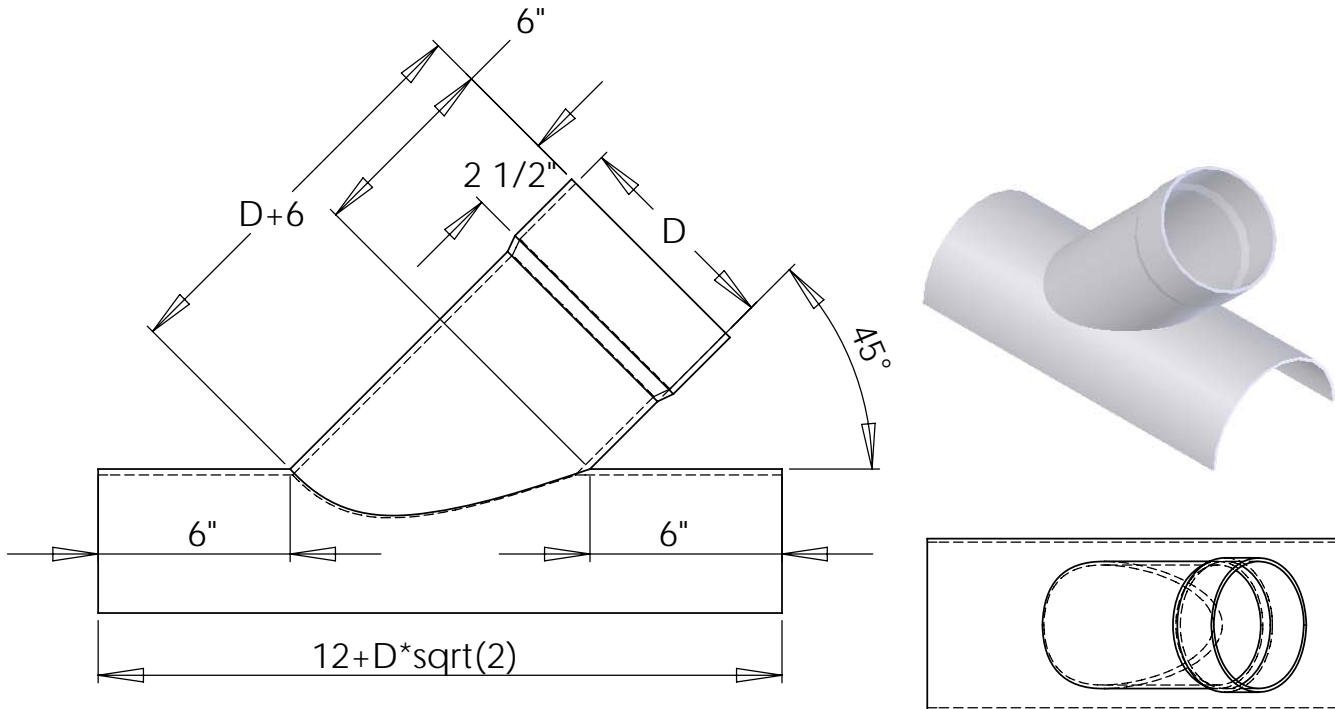


# Chicago Plastic Systems Saddle WYE

The internal diameter of the saddle is made to fit the OD of standard duct sizes.



Dimensions		
Duct Size	D (id)	$12+D*\sqrt{2}$
6	6.625"	21 3/8"
7	7.375"	22 7/16"
8	8.625"	24 3/16"
9	9.375"	25 5/16"
10	10.75"	27 3/16"
11	11.375"	28 1/16"
12	12.75"	30 5/16"
14	14"	31 13/16"
16	16"	34 5/8"
18	18"	37 7/16"
20	20"	40 5/16"
24	24"	45 15/16"

PVC Classes 12454-B&C per ASTM D-1784-92  
(Formerly known as Type I, Grades 1&2)