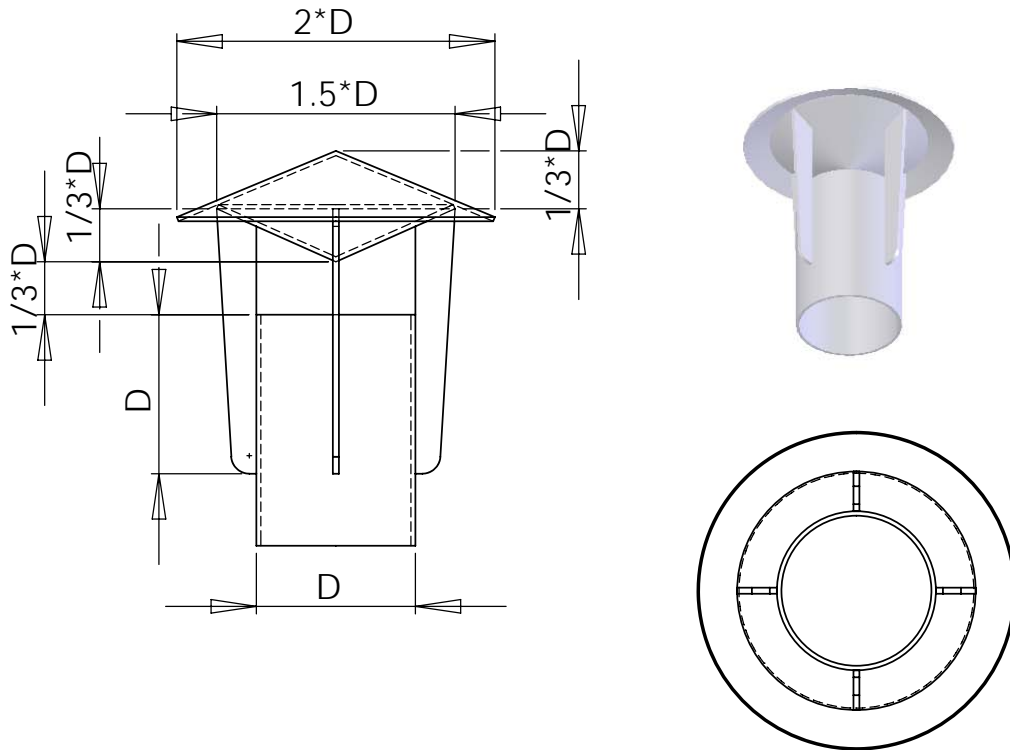


Chicago Plastic Systems Rain Cap Style A (cone top)

There are at minimum four legs supporting the top.
The cone top and cylindrical body are joined
to the legs via welds.



Sizes available:
6", 7", 8", 9", 10", 11", 12", 14", 16", 18", 20", 24"

PVC Classes 12454-B&C per ASTM D-1784-92
(Formerly known as Type I, Grades 1&2)