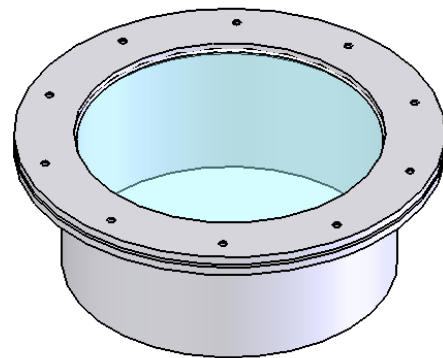
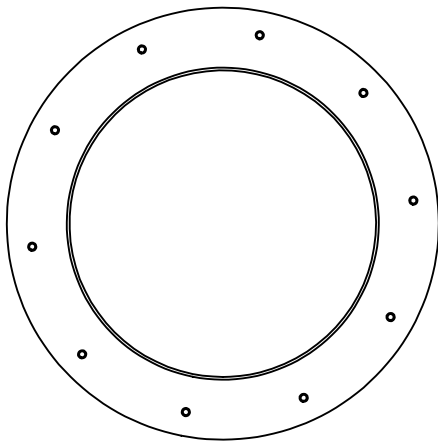
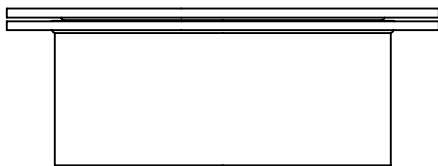
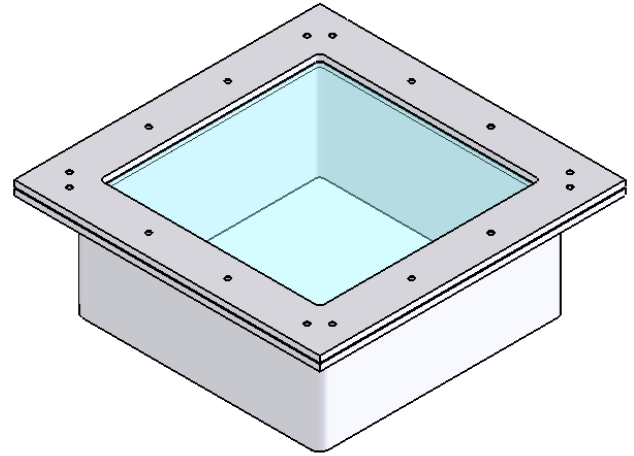
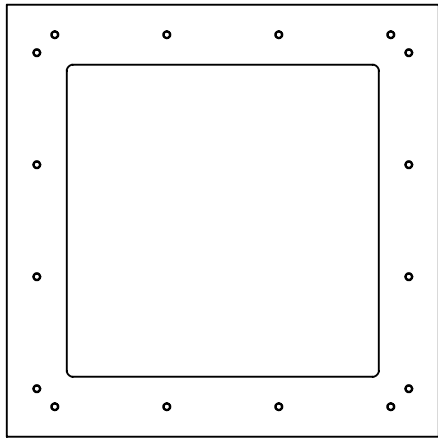
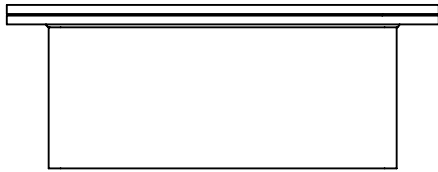


Chicago Plastic Systems Boltable Access Door

Boltable door, clear cover allows inspection before removal.
Round access doors are available in duct sizes 6-24"
Rectangular access doors are sized as requested.
May be mounted on round or flat surfaces for either style.
Can be made with or without clear panels.



PVC Classes 12454-B&C per ASTM D-1784-92
(Formerly known as Type I, Grades 1&2)