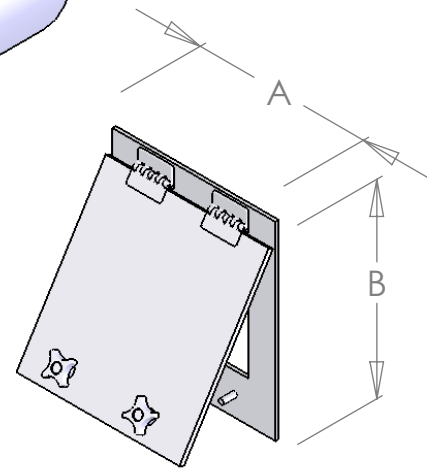
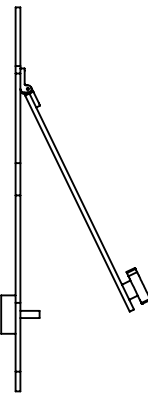
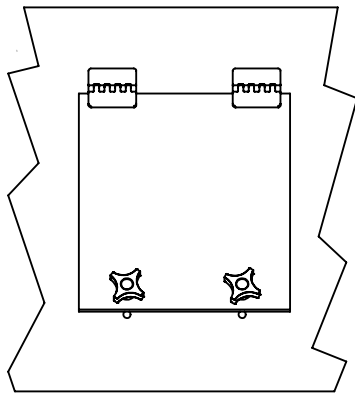
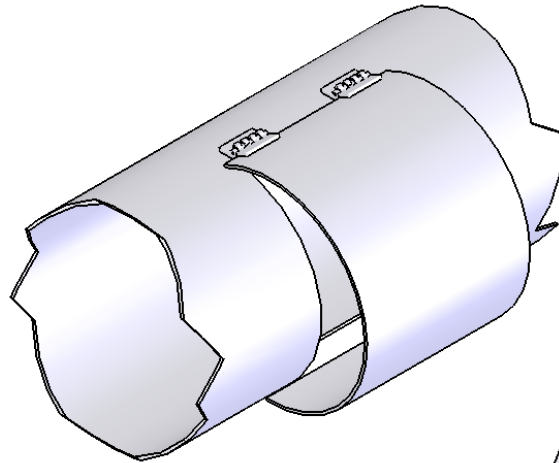
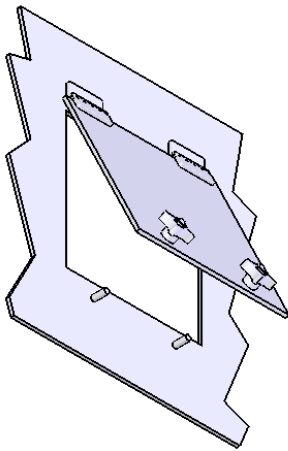
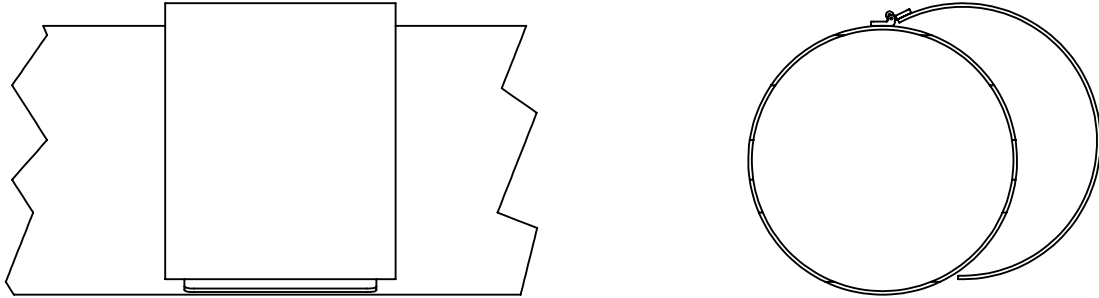


Chicago Plastic Systems Hinged Access Door

May or may not have gaskets.
No parts to loose or misplace.

Round-Snapfit to close, designed for negative pressure.



It may also be sold as a door&frame to be welded on in the field.

Square- Plastic/SS knobs keep door in closed position, hinge can be on any side.

	A	B
8x8	12 in	14 in
18x18	22 in	24 in
24x24	28 in	30 in

PVC Classes 12454-B&C per ASTM D-1784-92
(Formerly known as Type I, Grades 1&2)