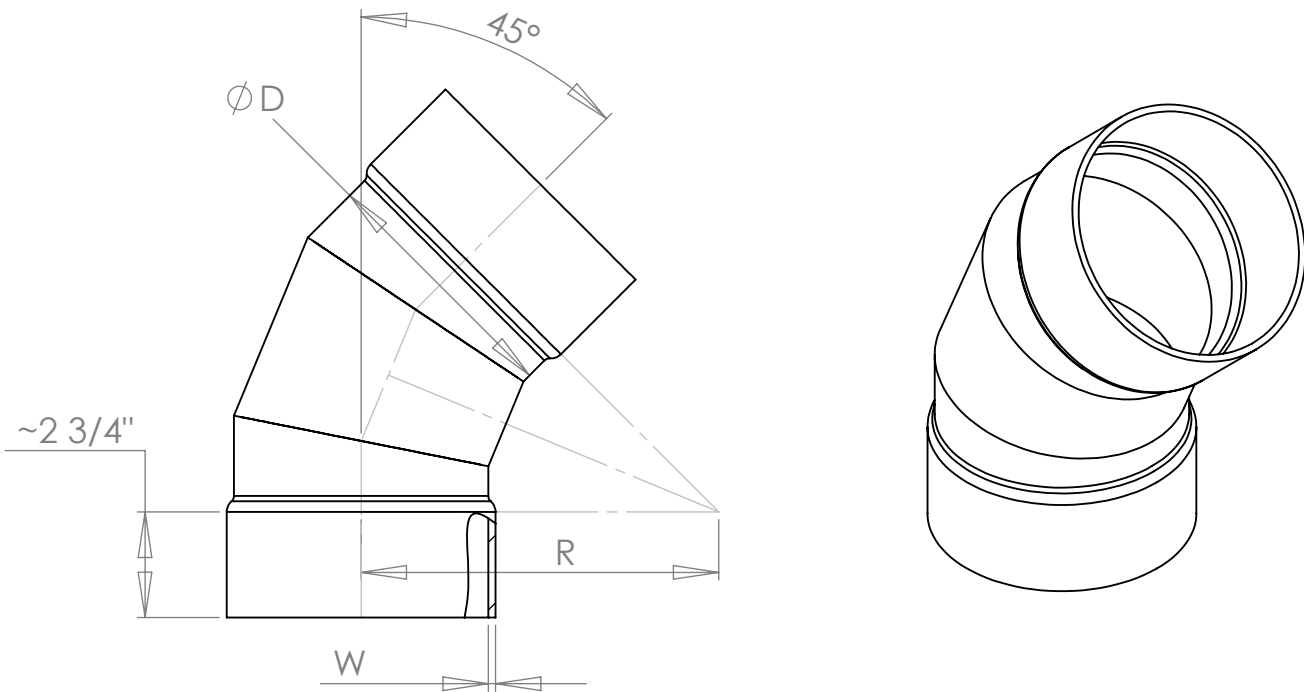


Chicago Plastic Systems 45 Degree 3 Gore Elbow

Elbows 6" through 24" are fabricated from extruded PVC duct pipe. Standard Radius is 1.5 the duct diameter to the center.
The radius and socket dimensions are approximate.



Duct Size	R	D	W	Throat Radius
6in	9.313	6.625	0.1875	6
7in	10.688	7.375	0.1875	7
8in	12.313	8.625	0.1875	8
9in	13.688	9.375	0.1875	9
10in	15.375	10.75	0.1875	10
11in	16.688	11.375	0.1875	11
12in	18.375	12.75	0.1875	12
14in	21.000	14	0.1875	14
16in	24.000	16	0.1875	16
18in	27.000	18	0.1875	18
20in	30.000	20	0.22	20

PVC Classes 12454-B&C per ASTM D-1784-92
(Formerly known as Type I, Grades 1&2)