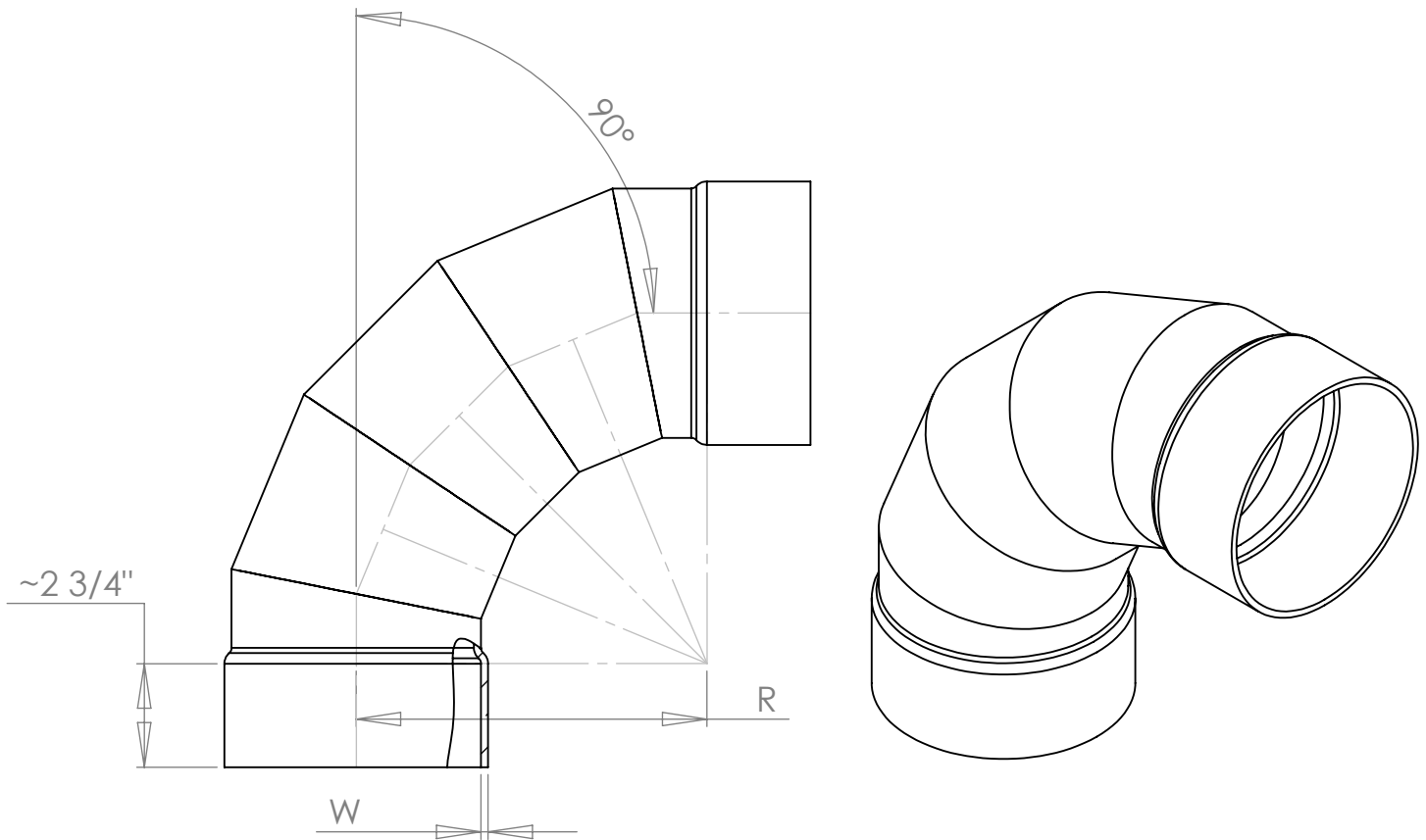


# Chicago Plastic Systems 90 Degree 5 Gore Elbow

Elbows 6" through 24" are fabricated from extruded PVC duct pipe. The socket dimension is approximate.



Duct Size	R	D	W	Throat Radius
6in	9.313	6.625	0.1875	6.000
7in	10.688	7.375	0.1875	7.000
8in	12.313	8.625	0.1875	8.000
9in	13.688	9.375	0.1875	9.000
10in	15.375	10.75	0.1875	10.000
11in	16.688	11.375	0.1875	11.000
12in	18.375	12.75	0.1875	12.000
14in	21.000	14	0.1875	14.000
16in	24.000	16	0.1875	16.000
18in	27.000	18	0.1875	18.000
20in	30.000	20	0.22	20.000
24in	36.000	24	0.25	24.000

PVC Classes 12454-B&C per ASTM D-1784-92  
(Formerly known as Type I, Grades 1&2)