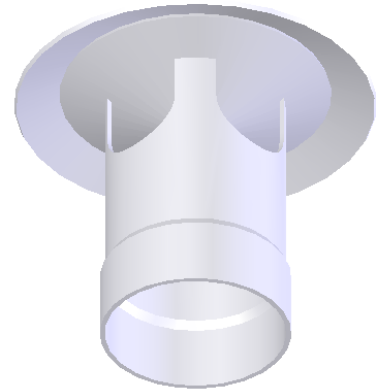
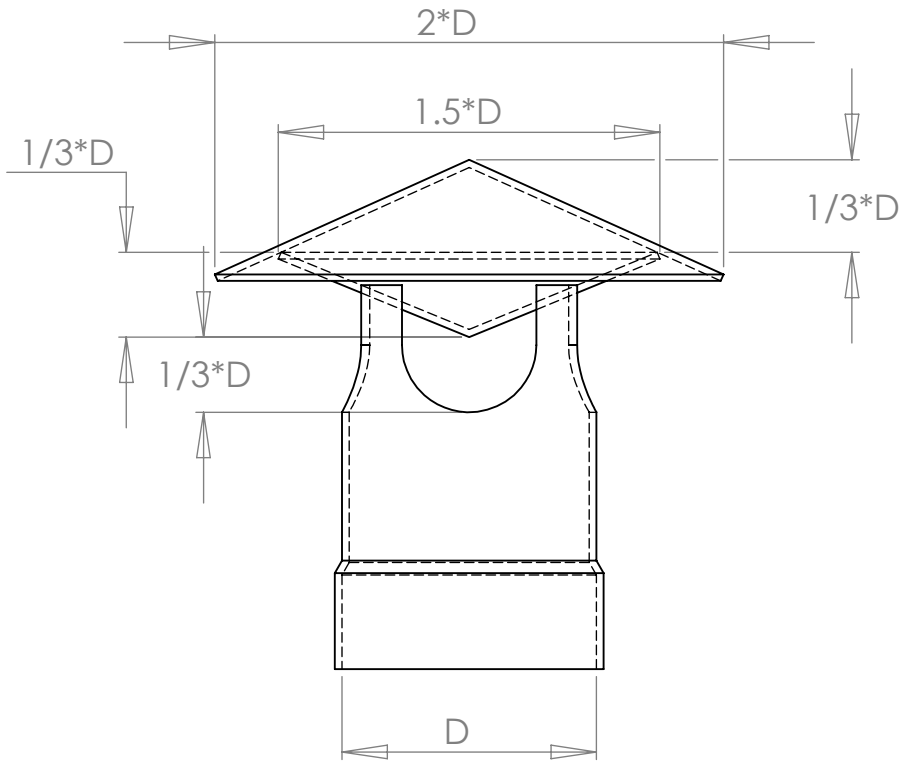
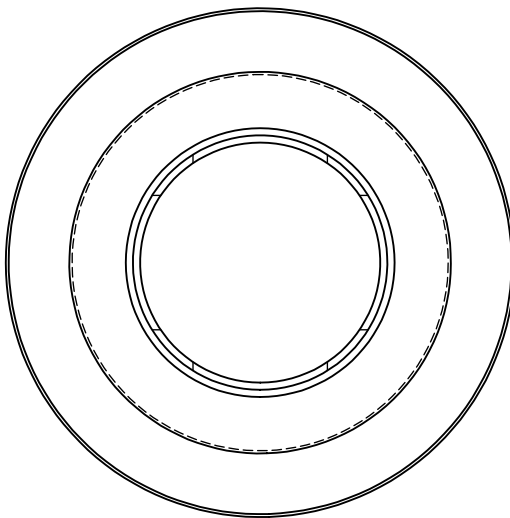


# Chicago Plastic Systems Rain Cap

There are at minimum four legs supporting the top.  
The cone top and cylindrical body are joined  
via welds.



Sizes available:  
6", 7", 8", 9", 10", 11", 12", 14", 16", 18", 20", 24"



PVC Classes 12454-B&C per ASTM D-1784-92  
(Formerly known as Type I, Grades 1&2)