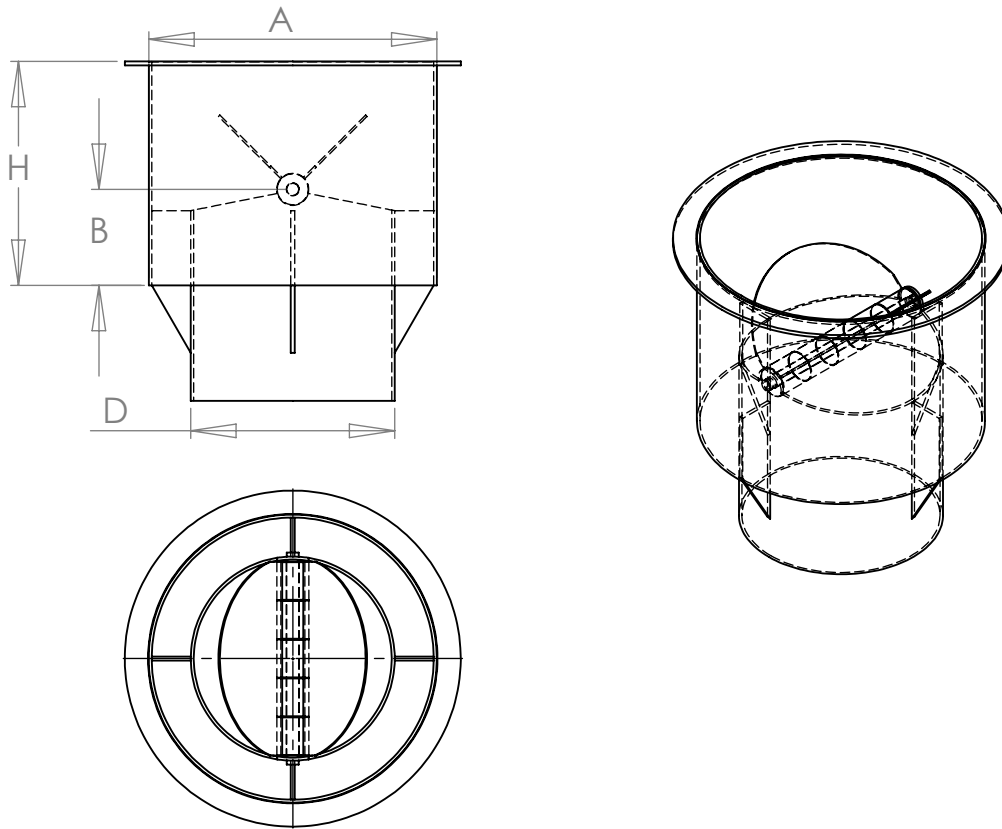


# Chicago Plastic Systems Backdraft Stack

Backdraft stacks have doors that open by the force of the air when the fan is on; when the system is off, the doors are in the closed position reducing the amount of air that might fall back thru the system.



Duct Size	D	A	H	B	Gussets	Blade Thickness
12in	12.75	18	14	6	4	0.125
14in	14	20	15	6	4	0.125
16in	16	22	16	6	6	0.125
18in	18	24	17	6	6	0.125
20in	20	26	18	6	6	0.125
22in	22	28	19	6	8	0.125
24in	24	30	20	6	8	0.125
26in	26	32	21	6	8	0.1875
28in	28	34	22	6	8	0.1875
30in	30	36	24	7	10	0.1875
32in	32	38	25	7	10	0.1875
34in	34	40	26	7	10	0.1875
36in	36	42	27	7	10	0.1875
38in	38	44	28	7	12	0.1875
40in	40	46	30	8	12	0.1875
42in	42	48	31	8	12	0.1875
44in	44	50	32	8	14	0.1875
46in	46	52	33	8	14	0.1875
48in	48	54	34	8	14	0.1875

PVC Classes 12454-B&C per ASTM D-1784-92  
(Formerly known as Type I, Grades 1&2)